

Technical data sheet - Control panel installation

Mounting accessories and tools



| | | |
|-----------------------|----------|------------------|
| Identification | Type | STECKDOSE ST-3/F |
| | Part-No. | 680573 |

Use/Application/Characteristics

| | |
|-----------------|--|
| Characteristics | <ul style="list-style-type: none">The developed snap-fit socket with fully-protected wire connections and integrated snap connection enables a simple and quick installation in the control cabinet. |
|-----------------|--|

Technical data

| | |
|------------------------|-------|
| Voltage | 250 V |
| AC Rated current range | 16 A |
| DC Rated current range | 10 A |
| Pole number | 2 |

Construction

| | |
|-------------|---------------------------------|
| Description | Socket ST -3/F French design |
| Color | grey |

General

| | |
|--------|------------------|
| Weight | 6.3 kg/100 units |
| PU | 10 piece |

27.11.2017 – Subject to technical modification

Part-No. 680573

USA: LUTZE INC.

13330 South Ridge Drive • Charlotte, NC 28273, USA
Tel. +1 (704) 504-0222 • Fax +1 (704) 504-0223
www.lutze.com • info@lutze.com

United Kingdom: LÜTZE Ltd.

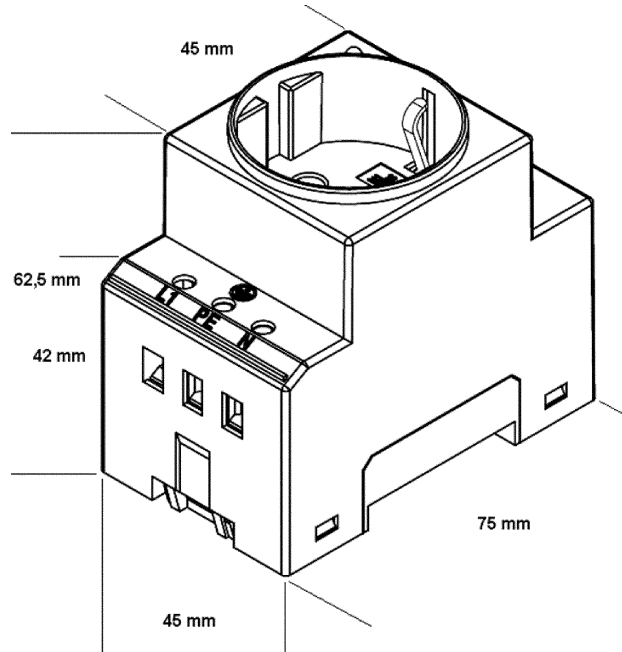
Unit 3, Sandy Hill Park
Sandy Way, Amington • GB-Tamworth, Staffs B77 4DU
Tel. +44 (0)1827 31333-0 • Fax +44 (0)1827 31333-2
www.lutze.com • sales.gb@lutze.co.uk



SYSTEMATIC TECHNOLOGY

Technical data sheet - Control panel installation

Dimensions



27.11.2017 – Subject to technical modification

Part-No. 680573

USA: LUTZE INC.

13330 South Ridge Drive • Charlotte, NC 28273, USA
Tel. +1 (704) 504-0222 • Fax +1 (704) 504-0223
www.lutze.com • info@lutze.com

United Kingdom: LÜTZE Ltd.

Unit 3, Sandy Hill Park
Sandy Way, Amington • GB-Tamworth, Staffs B77 4DU
Tel. +44 (0)1827 31333-0 • Fax +44 (0)1827 31333-2
www.lutze.com • sales.gb@lutze.co.uk