

## QFA3100/4100 Series Relative Humidity Sensors for Critical Environments or Outdoor Use



**QFA31xx**



**QFA31xx with AQP3100 Weather Shield**



**QFA31XX with Display**



**Replacement Sensing Element**

### Description

QFA3100 and QFA4100 Series sensors are used in HVAC systems where high accuracy and short response times for measuring relative humidity are required. The sensors maintain a +/- 2% RH accuracy from 0 to 100% RH.

Typical applications include:

- Pharmaceutical facilities
- Laboratories
- Hospitals
- Indoor swimming-pools
- Computer and data processing centers
- Greenhouses

Sensors are available with either 0 to 10V or 4 to 20 mA output signals. Options include an LCD display and additional analog output for temperature.

The QFA3100 Series sensors feature an enclosure with gaskets and may be installed outdoors with an AQP3100 weather shield (sold separately).

**NOTE:** Units with display are not intended for outdoor use.

The QFA4100 variants come with a three-point, independently-certified calibration certificate. The certification is easily renewed by installing a new certified sensing element.

The AQY Series cables enable the sensing element to be remotely mounted up to 30 feet from the sensor.

## Specifications – Humidity Element

|                    |  |
|--------------------|--|
| Measurement range  | 0 to 100% RH   |
| Accuracy           | ±2% RH, 0 to 100% RH @ 73°F (23°C)                           |
| Temperature effect | Less than 0.1% per degree C                                  |
| Time Constant      | < 20 seconds   |
| Output signal      | 4 to 20 mA or 0 to 10 Vdc, 0 to 100%RH, linear, proportional |

## Specifications–Temperature Element (for combination RH/T units only)

|                                     |   |
|-------------------------------------|---|
| Measurement range (selectable)      | <b>Jumper Position</b>                                      |
| 32° to 122°F (0° to 50°C) (Default) | R2  |
| -31° to 95°F (-35° to 35°C)         | R1  |
| -40° to 158°F (-40° to 70°C)        | R3  |
| Accuracy                            | 0.54°F @ 73°F (±0.3°C @ 23°C)                               |
| Time Constant                       | 8.5 minutes (dependent on airflow and wall coupling)        |
| Output signal                       | 4 to 20 mA or 0 to 10 Vdc, full range, linear, proportional |

## General Specifications

|                          |  |
|--------------------------|--|
| Installation             | 18 AWG cable length shared in conduit with other sensor wiring 750 ft (229 m) max. |
| Connections              | Screw terminals  |
| Voltage requirement      |  |
| 0 to 10 Vdc output types | 13.5 to 35 Vdc or 24 Vac ± 20%   |
| 4 to 20 mA output types  | 13.5 to 35 Vdc   |
| Power consumption        | <1 VA  |
| Material Type            | Polycarbonate plastic  |
| CE and UL listed         | UL 873 standard for Temperature Indicating and Regulating Equipment                |

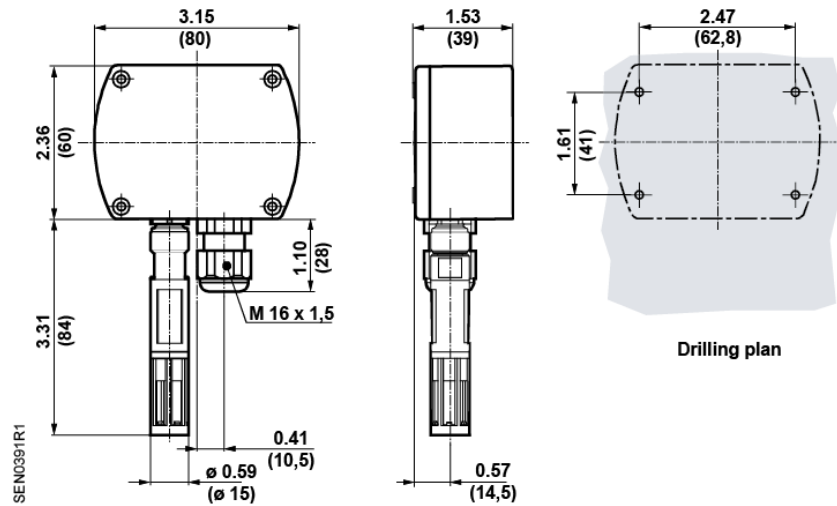
## Ordering Information

| Part Number | Description   |
|-------------|---|
| QFA3100     | Outdoor air humidity sensor (2%), 0 to 10 Vdc   |
| QFA3101     | Outdoor air humidity sensor (2%), 4 to 20 mA  |
| QFA3160     | Outdoor air humidity sensor (2%), 0 to 10 Vdc/Temp 0 to 10 Vdc                                |
| QFA3160D    | Outdoor air humidity sensor (2%), 0 to 10 Vdc/Temp 0 to 10 Vdc with display                   |
| QFA3171     | Outdoor air humidity sensor (2%), 4 to 20 mA Temp 4 to 20 mA                                  |
| QFA3171D    | Outdoor air humidity sensor (2%), 4 to 20 mA Temp 4 to 20 mA with display                     |
| QFA4160     | Outdoor air humidity sensor (2%), 0 to 10 Vdc/Temp 0 to 10 Vdc (certified version)            |
| QFA4171     | Outdoor air humidity sensor (2%), 4 to 20 mA/Temp 4 to 20 mA (certified version)              |
| QFA4171D    | Outdoor air humidity sensor (2%), 4 to 20 mA/Temp 4 to 20 mA (certified version) with display |

## Ordering Information, Continued

| <b>Accessories</b> |  |
|--------------------|--|
| AQF3101            | Replacement filter cap                     |
| AQF3150            | Replacement sensing element - standard     |
| AQF4150            | Replacement sensing element - certified    |
| AQF3100            | Weather shield for outdoor use             |
| 7466201040         | Replacement 1/2-inch rigid conduit adapter |
| AQY2010            | Remote sensing cable, 10 feet (3 m)        |
| AQY2030            | Remote sensing cable, 30 feet (9 m)        |

## Dimensions



**Figure 1. QFA31 Series Sensors  
Dimensions in Inches (Millimeters).**

## Dimensions, Continued

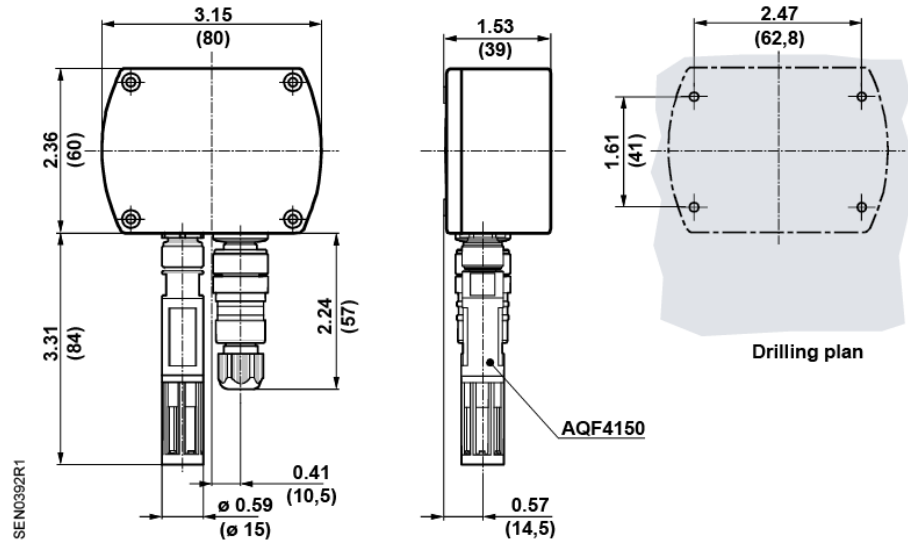


Figure 2. QFA41 Series Sensors  
Dimensions in Inches (Millimeters).

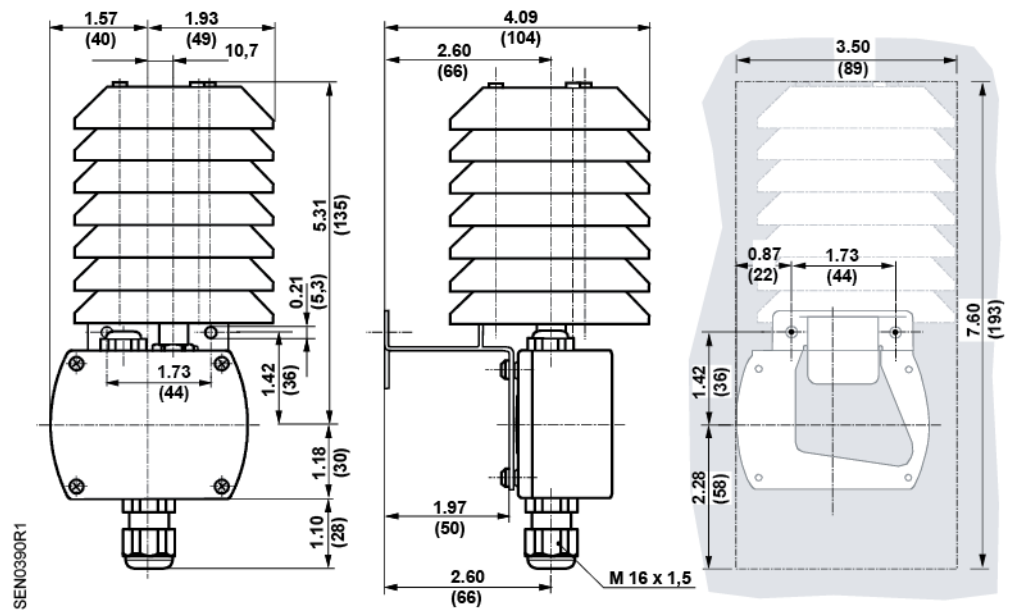


Figure 3. QFA31 Series Sensors with AQF3100  
Dimensions in Inches (Millimeters).

Information in this document is based on specifications believed correct at the time of publication. The right is reserved to make changes as design improvements are introduced. Product or company names mentioned herein may be the trademarks of their respective owners.  
© 2019 Siemens Industry, Inc.