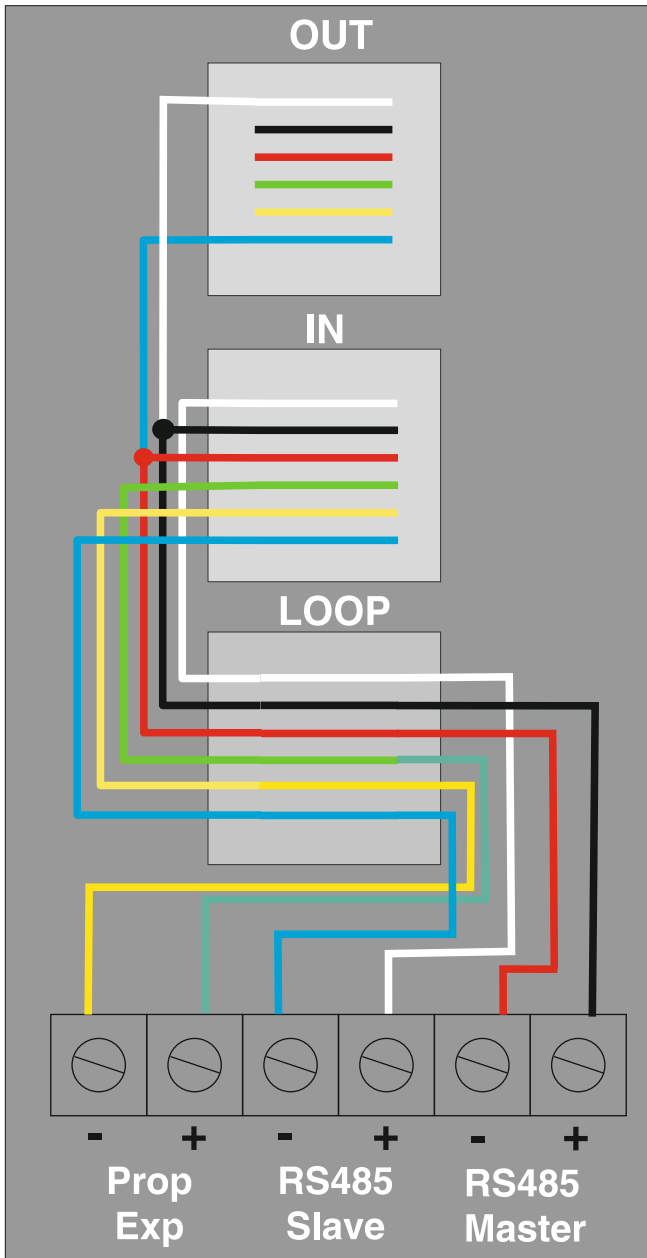
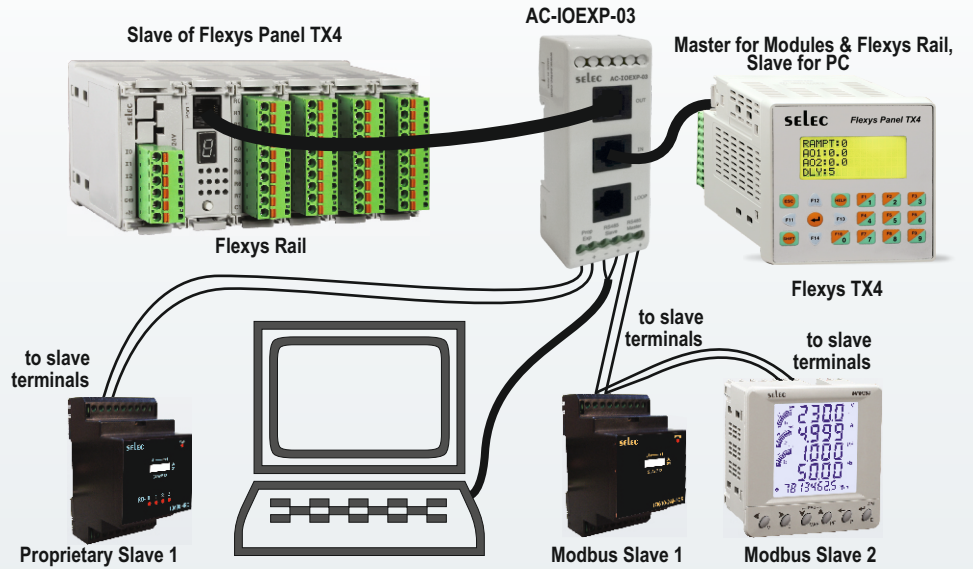




Certifications : CE RoHS

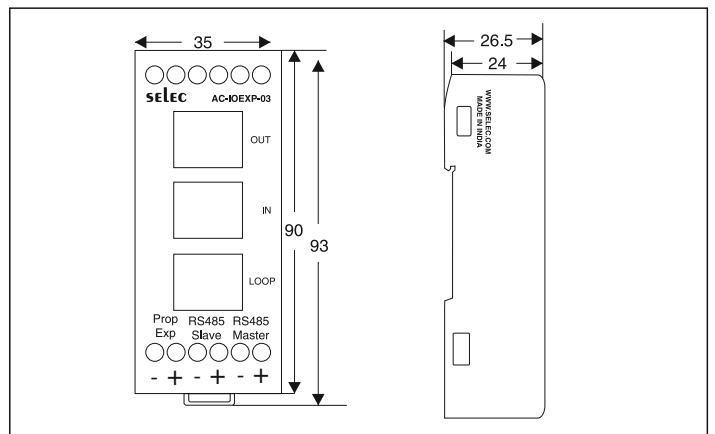


Mounting	DIN Rail Mount
Weight	46 gms

Port Description

Port 1 (6 Pin Jack)	
Pin	Description
1	RS485 + ve
2	NC
3	NC
4	NC
5	NC
6	RS485 -ve

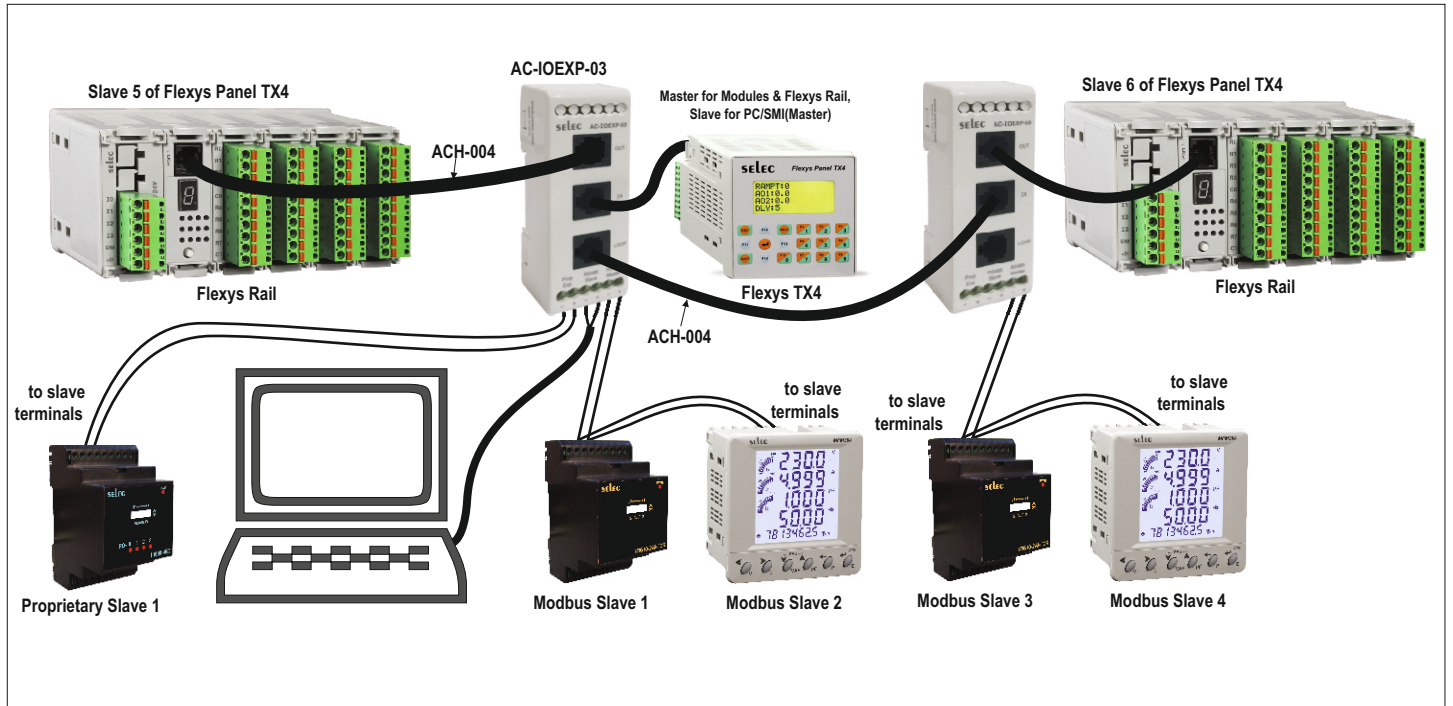
Dimensions (in mm)



Ordering Information

Product Code	Description	Certification
AC-IOEXP-03	Communication Adapter	CE RoHS

Connection 1



Connection 2

