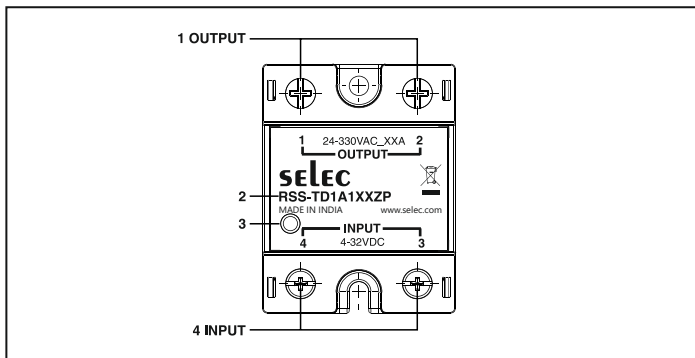




Features :

- Control Input voltage : 4 - 32V DC
- Load output voltage : 24 - 330V AC
- Max load current : 25A / 40A
- Output switching device - Triac
- Zero crossing

Product description



- 1 - Load output connection screw (M5) terminals
- 2 - Indication area for product label or markings
- 3 - Control input voltage LED indicator
- 4 - Control input connection screw (M4) terminals

Specification

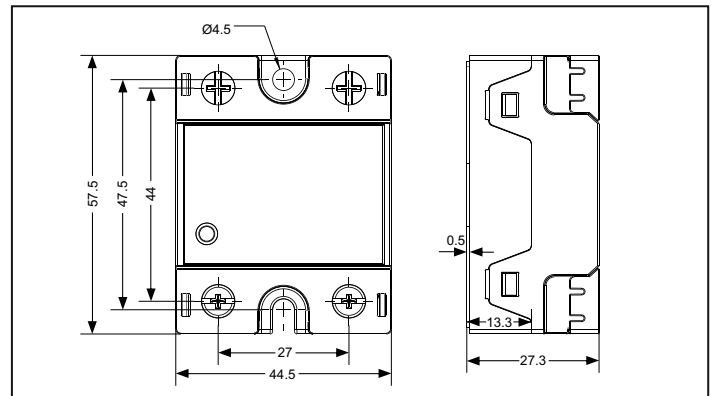
Control input voltage	4 - 32V DC
Load output voltage	24 - 330V AC
Max load current	25A / 40A
Use heat sink when load current is above 4A.	
Contact configuration	1NO
Output device	Triac
Must operate voltage	4V DC (max)
Must release voltage	1V DC (min)
Repetitive peak Off-state voltage (V_{DRM})	800V
Rate of rise of Off-state voltage ($\frac{dV}{dt}$)	500V/ μ s
Non-repetitive peak On-state current (I_{TSM})	
For IT = 40A	400A
For IT = 25A	190A

Product application	For heater control or resistive & slightly inductive load
----------------------------	---

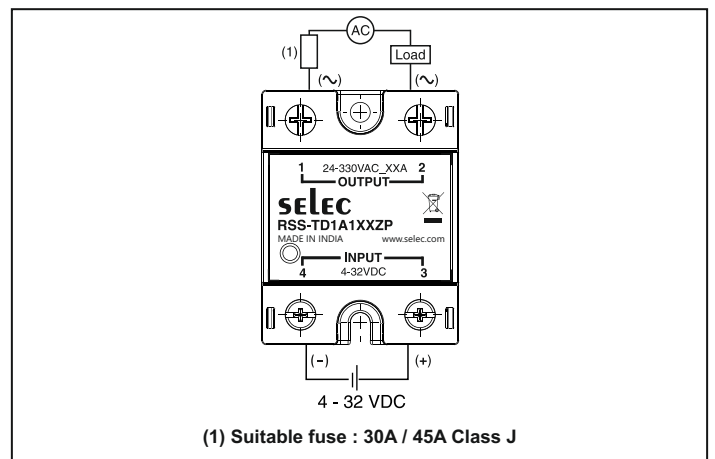
Mechanical specification

Mounting	Panel
Weight	87.2gms

Dimensions (All are in mm)



Terminal connections



Tightening torque

Screw size	Tightening torque
M4 screws (Control input)	1.2 N.m
M5 screws (Load output)	2.0 N.m

Ordering information

Product code	Input	Output		Certification
		Voltage	Current	
RSS-TD1A125ZP	4 - 32V DC	24 - 330V AC	25A	---
RSS-TD1A140ZP	4 - 32V DC	24 - 330V AC	40A	---