

DRIKITP 24VDC 2CO LD/PB

Weidmüller Interface GmbH & Co. KG

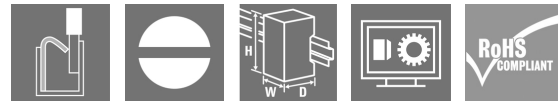
Klingenbergstraße 26

D-32758 Detmold

Germany

www.weidmueller.com

Product image



Similar to illustration

- Mounted kit consisting relay, socket and retaining clip
- 100 % function tested
- 100 % check of the dielectric strenght between input - output
- 2 CO contacts
- Optional with mechanical status indicator
- Optional Test button with coloured identification of coils (AC red / DC blue)
- Bright status LED (AC coil: red / DC coil: green)

General ordering data

| | |
|----------------|---|
| Version | D-SERIES DRI, Relay module, Number of contacts: 2, CO contact AgSnO, Rated control voltage: 24 V DC, Continuous current: 5 A, PUSH IN, Test button available: Yes |
| Order No. | 2576190000 |
| Type | DRIKITP 24VDC 2CO LD/PB |
| GTIN (EAN) | 4050118585957 |
| Qty. | 10 pc(s). |
| Relevant base | 7760056365 |
| Relevant relay | 7760056340 |

Creation date June 28, 2024 3:01:07 PM CEST

Catalogue status 14.06.2024 / We reserve the right to make technical changes.

DRIKITP 24VDC 2CO LD/PB

Weidmüller Interface GmbH & Co. KG
 Klingenbergstraße 26
 D-32758 Detmold
 Germany

www.weidmueller.com

Technical data

Dimensions and weights

| | | | |
|------------|----------|-----------------|------------|
| Depth | 63 mm | Depth (inches) | 2.48 inch |
| Height | 102.1 mm | Height (inches) | 4.02 inch |
| Width | 15.9 mm | Width (inches) | 0.626 inch |
| Net weight | 60.258 g | | |

Temperatures

| | | | |
|---------------------|--|-----------------------|----------------|
| Storage temperature | -40 °C...85 °C | Operating temperature | -40 °C...55 °C |
| Humidity | 35...85 % rel. humidity, no condensation | | |

Control side

| | | | |
|-----------------------|---------------------|------------------|---------------|
| Rated control voltage | 24 V DC | Rated current DC | 21,8 mA |
| Power rating | 530 mW | Coil resistance | 1100 Ω ± 10 % |
| Coil tolerance | 10 % | Status indicator | Green LED |
| Protective circuit | Free-wheeling diode | | |

Load side

| | | | |
|---|---------------------------------------|---|--|
| Rated switching voltage | 250 V AC | Continuous current | 5 A |
| Max. switching frequency at rated load | 0.1 Hz | Max. switching voltage, AC | 250 V |
| Max. switching voltage, DC | 250 V | AC switching capacity (resistive), max. | 1250 VA |
| DC switching capacity (resistive), max. | 150 W @ 24 V | Switch-on delay | ≤ 15 ms |
| Switch-off delay | ≤ 10 ms | Contact type | 2 CO contact (AgSnO) |
| Mechanical service life | 10 x 10 ⁶ switching cycles | Min. switching power | 10 mA @ 24 V, 10 mA @ 12 V, 100 mA @ 5 V |

General data

| | | |
|--------------------------------------|---|-------------------|
| Rail | TS 35 | |
| Test button available | Yes | |
| Version of test button | Lockable test button, Momentary test button | |
| Mechanical switch position indicator | No | |
| Colour | black | |
| UL94 flammability rating component | Component | Housing |
| | UL94 flammability rating | V-2 |
| | Component | Pusher |
| | UL94 flammability rating | HB |
| | Component | Mounting foot |
| | UL94 flammability rating | HB |
| | Component | Retaining clip |
| | UL94 flammability rating | HB |
| | Component | Relay cover |
| | UL94 flammability rating | V-2 |
| | Component | Relay baseplate |
| | UL94 flammability rating | V-0 |
| | Component | Relay test button |
| | UL94 flammability rating | HB |

DRIKITP 24VDC 2CO LD/PB**Weidmüller Interface GmbH & Co. KG**

Klingenbergstraße 26

D-32758 Detmold

Germany

www.weidmueller.com

Technical data**Insulation coordination**

| | | | |
|---|--------------------------------|--|-----------------------------|
| Rated voltage | 250 V | Pollution severity | 2 |
| Surge voltage category | III | Insulating material group | IIIb |
| Clearance and creepage distances for control side - load side | ≥ 3 mm | Dielectric strength for control side - load side | 5 kV _{eff} / 1 min |
| Dielectric strength of neighbouring contacts | 1.5 kV _{eff} / 1 min. | Dielectric strength of open contact | 1 kV _{eff} / 1 min |
| Impulse withstand voltage | 5 kV (1.2/50 µs) | Impulse withstand voltage at neighbouring contacts | 4.8 kV (1.2/50 µs) |
| Protection degree | IP20 | | |

Further details of approvals / standards

| | | | |
|-------------------------------|---------|------------------------------|---------|
| Certificate no. (cURus) relay | E312083 | Certificate no. (cURus) base | E312083 |
|-------------------------------|---------|------------------------------|---------|

Connection data

| | | | |
|---|---------------------|---|----------------------|
| Wire connection method | PUSH IN | Stripping length, rated connection | 10 mm |
| Clamping range, rated connection | 1.5 mm ² | Clamping range, min. | 0.14 mm ² |
| Clamping range, max. | 1.5 mm ² | Wire connection cross section AWG, min. | AWG 26 |
| Wire connection cross section AWG, max. | AWG 16 | Wire cross-section, solid, min. | 0.14 mm ² |
| Wire cross-section, solid, max. | 1.5 mm ² | Wire connection cross section, finely stranded, min. | 0.14 mm ² |
| Wire connection cross section, finely stranded, max. | 1.5 mm ² | Wire connection cross-section, finely stranded with wire-end ferrules DIN 46228/4, min. | 0.14 mm ² |
| Wire connection cross-section, finely stranded with wire-end ferrules DIN 46228/4, max. | 1 mm ² | Conductor cross-section, flexible, AEH (DIN 46228-1), min. | 0.14 mm ² |
| Conductor cross-section, flexible, AEH (DIN 46228-1), max. | 1.5 mm ² | Blade size | 0.4 x 2.5 mm |

Classifications

| | | | |
|-------------|-------------|-------------|-------------|
| ETIM 6.0 | EC001437 | ETIM 7.0 | EC001437 |
| ETIM 8.0 | EC001437 | ETIM 9.0 | EC001437 |
| ECLASS 9.0 | 27-37-16-01 | ECLASS 9.1 | 27-37-16-01 |
| ECLASS 10.0 | 27-37-16-01 | ECLASS 11.0 | 27-37-16-01 |
| ECLASS 12.0 | 27-37-16-01 | ECLASS 13.0 | 27-37-16-01 |

Environmental Product Compliance

| | |
|------------|--------------------------------------|
| REACH SVHC | Lead 7439-92-1 |
| SCIP | 611f3393-31e7-4ef5-8360-95619a629f27 |

Approvals

Approvals



| | |
|------|---------|
| ROHS | Conform |
|------|---------|

Creation date June 28, 2024 3:01:07 PM CEST

Catalogue status 14.06.2024 / We reserve the right to make technical changes.

3

DRIKITP 24VDC 2CO LD/PB

Weidmüller Interface GmbH & Co. KG
Klingenbergstraße 26
D-32758 Detmold
Germany

www.weidmueller.com

Technical data**Downloads**

Approval/Certificate/Document of Conformity

[EU Konformitätserklärung / EU Declaration of Conformity](#)

Engineering Data

[CAD data – STEP](#)

Product Change Notification

[20210401 Product Change Notification D-SERIES DRI KITS - status indicator](#)

Catalogues

[Catalogues in PDF-format](#)

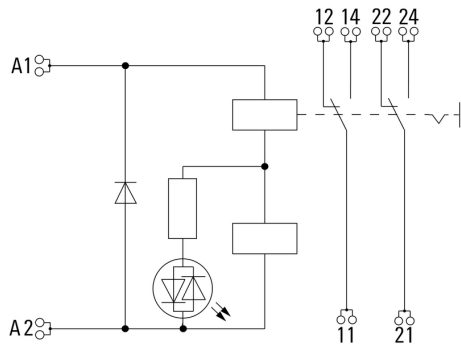
DRIKITP 24VDC 2CO LD/PB

Weidmüller Interface GmbH & Co. KG
 Klingenbergstraße 26
 D-32758 Detmold
 Germany

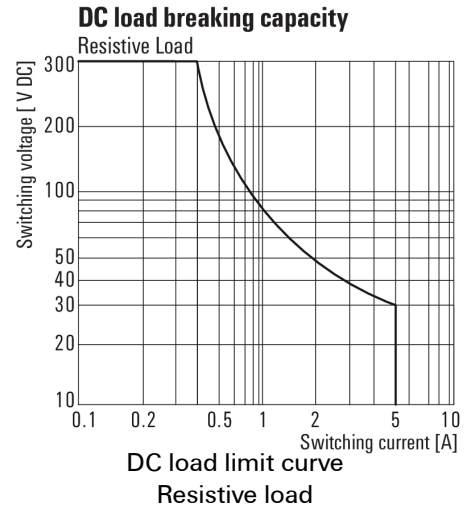
www.weidmueller.com

Drawings

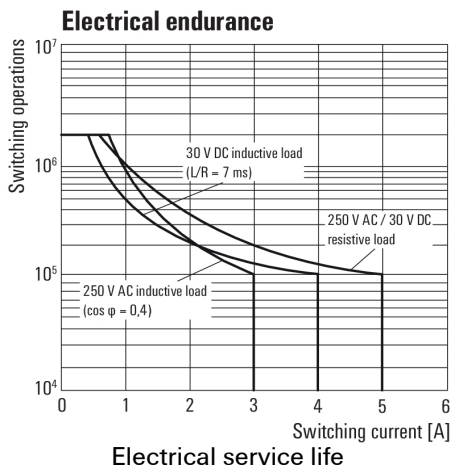
Wiring diagram



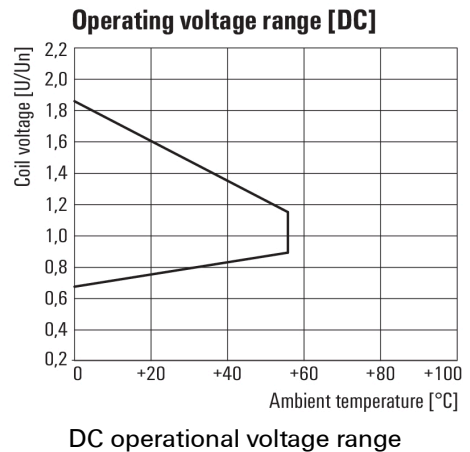
Graph



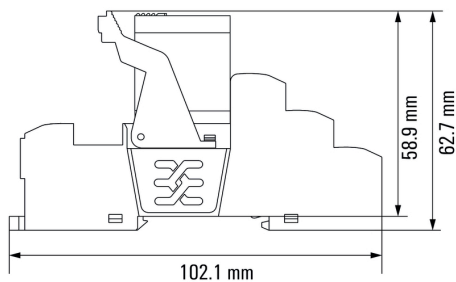
Graph



Graph



Dimensional drawing



Relay in combination with base

Data sheet

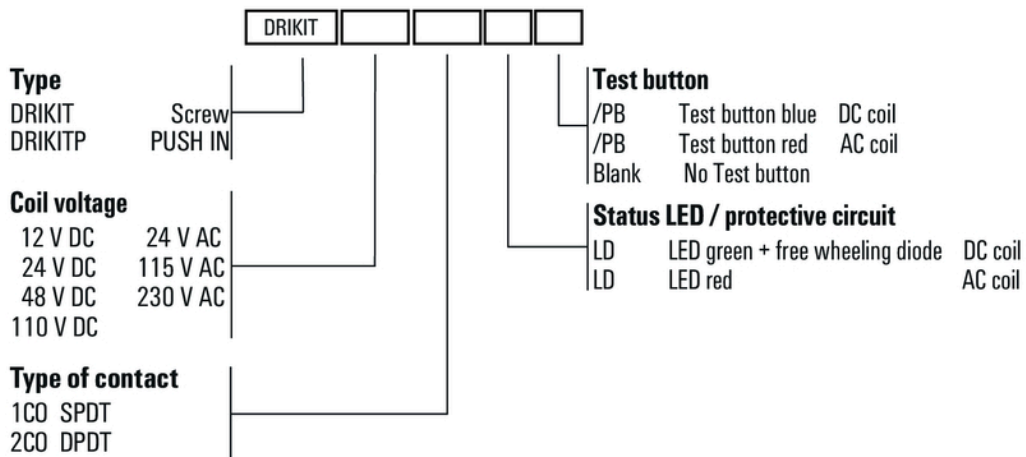
DRIKITP 24VDC 2CO LD/PB

Weidmüller Interface GmbH & Co. KG
 Klingenbergstraße 26
 D-32758 Detmold
 Germany

www.weidmueller.com

Drawings

Miscellaneous



Type codes